



ULTIMATE

by platinum



PRODUCT
BROCHURE

THE PLATINUM ULTIMATE STAIRLIFT

Welcome to the Platinum Ultimate stairlift - A contemporary style single rail stairlift created to a standard like no other.

Choosing a stairlift can be an overwhelming decision. However, the freedom offered in helping you return to independent living without having to leave the home you love makes it a great choice, providing you with a better quality of life and peace of mind for you, and your loved ones.



WHY CHOOSE A PLATINUM ULTIMATE STAIRLIFT?



CUSTOM BUILT QUALITY

Every Platinum Ultimate stairlift is hand-crafted entirely to your chosen specification, capable of navigating narrow, steep staircases, tight turns, and installed to start and finish where you need it.



INNOVATION

The Platinum Ultimate is the first stairlift on the market capable of **Forward-Facing Travel**, and a space saving **'First Step Start'**, avoiding the need for a rail starting on the floor, or a hinge. This is the best solution to avoid obstructing doors or walkways.



SAFETY

Safety is paramount, for your peace of mind. Every stairlift is designed and tested to the highest standards (Machinery Directive 2006/42/EC and EN81/40) before it leaves the manufacturing facility to ensure it fits your staircase exactly, and gives you the confidence in independent living.



CHOICE

There are many customisable options to suit you and your home, from operating functions, seat adjustments, direction of travel, upholstery colours and a choice of locations where the chair starts and finishes.

GET TO KNOW THE PLATINUM ULTIMATE STAIRLIFT

The Platinum Ultimate stairlift is all about offering you choice. Its innovative design means it can go steeper, tighter and fits, where no other stairlift can.

Your stairlift is tailor made for you and your home. Here, we have detailed some of the Ultimate's unique features and the many benefits, so you can be confident in your decision.

INNOVATION

Industry leading features

- Our space saving **'First Step Start'** is a unique, stylish option, leaving your floor space and any doors completely free from obstruction
- Complete **Forward-Facing Travel** option available with a standard start and overrun start options
- The only single tube stairlift on the market that can accommodate **weight up to 25st (160kg)**
- A fully adjustable seat to suit the user

FORWARD
FACING TRAVEL



FIRST STEP START
The industry's
leading stairlift to
start on the first
step, not the floor.



SAFETY

For you and your loved ones' peace of mind

- Easy to use seat belt for your safety
- Our stairlifts are battery powered, so, in the event of a power cut you can still access your home
- Automatic stop feature, if there is an obstacle on your stairs
- Text display with real time information



Text display



Remote control to call your stairlift to the top or bottom of the stairs.



YOUR OPTIONS

The Ultimate comes with a choice of key features to make it an accessible chair for everyone to use and to fit seamlessly into your home.

THE WEIGHT OPTIONS

A choice of weight capacity.



THE UPHOLSTERY

Colours to suit your home décor.



Ruby Red



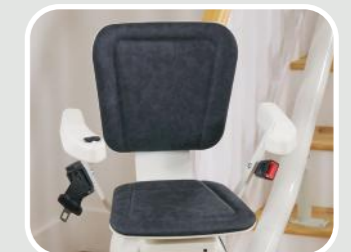
Cobalt Blue



Light Grey



Almond Beige



Charcoal Black



DIRECTION OF TRAVEL
 Your Ultimate stairlift can be designed to travel in a number of ways to suit your needs. You can choose to travel forward and upwards*, sideways or forward and downwards.

*Not available with First Step Start.

SEAT ADJUSTMENTS
 Adjustments to the arms, footplate and backrest for your comfort.



Power activated or manual seat lever swivel.

THE RAIL
 First step, standard, overrun or wrap start and finishes are available so you can choose where your chair is stationed at the bottom and the top of your stairs, accommodating the design of your stairs and hallway.



First Step Start. Removes the need for the rail to intrude into the hallway.



Standard Start. The rail starts on the landing before the stairs.



Wrap Start



Overrun Finish



Standard Finish. The rail can continue on the landing.



THE JOYSTICK/ROCKER SWITCH
 Your engineer will offer you a choice of control devices at installation. The joystick units are easily changeable and can be installed in either the left or right arm rest to suit your ability.



Joystick



Rocker Switch

THE PLATINUM ULTIMATE JOURNEY

Six simple steps to help you enjoy your whole home.

1 Call your stairlift using the remote control.



2 Lower the arms and seat pad, which will lower the connected footplate at the same time.



3 Sit down in the chair and ensure the seat belt is fastened.



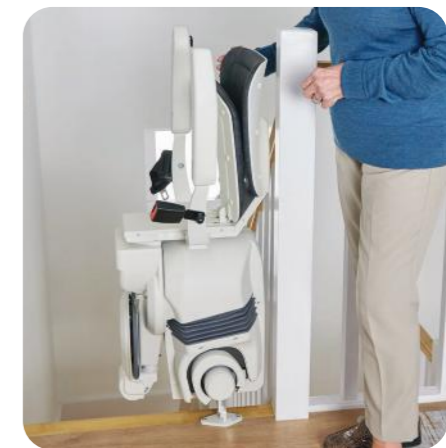
4 Press the rocker or push the joystick depending on your chosen control, this will position your seat to its pre-set direction (sideways, forward facing or downward facing) and the lift will begin its journey.



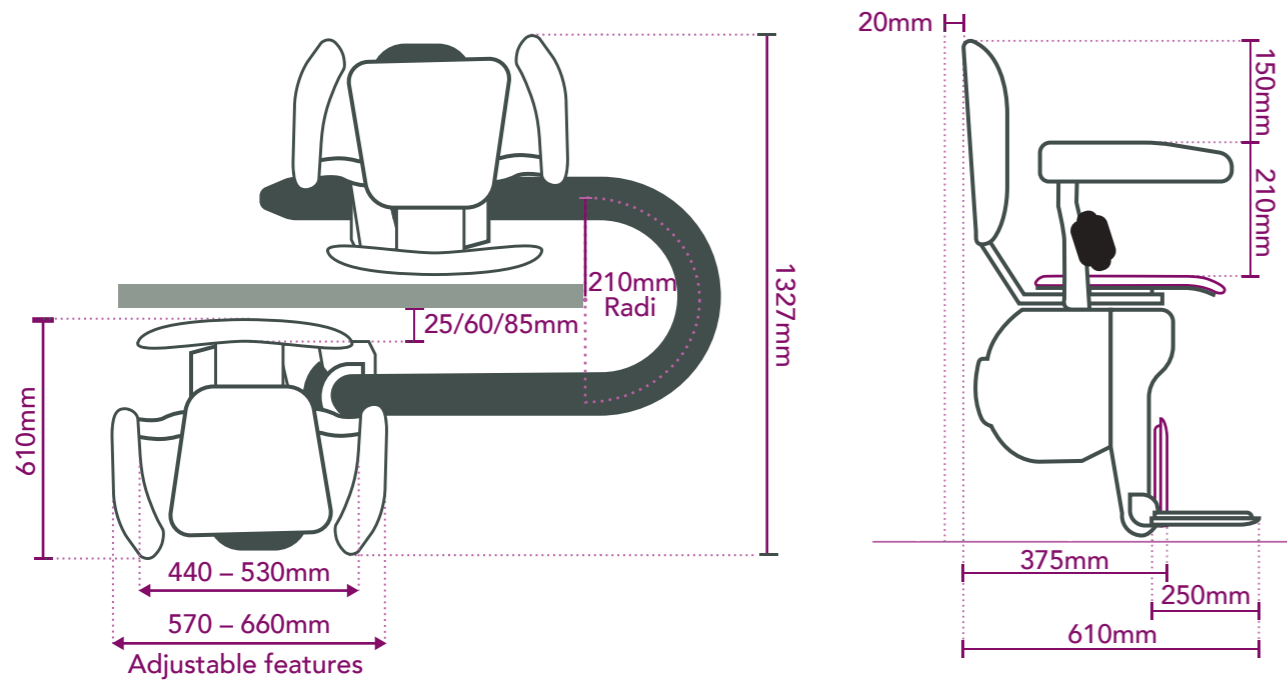
5 Once you have arrived the powered swivel will turn the chair. When it finishes, unbuckle and step off. If your lift has a manual swivel, use the lever situated under the seat to swivel the seat.



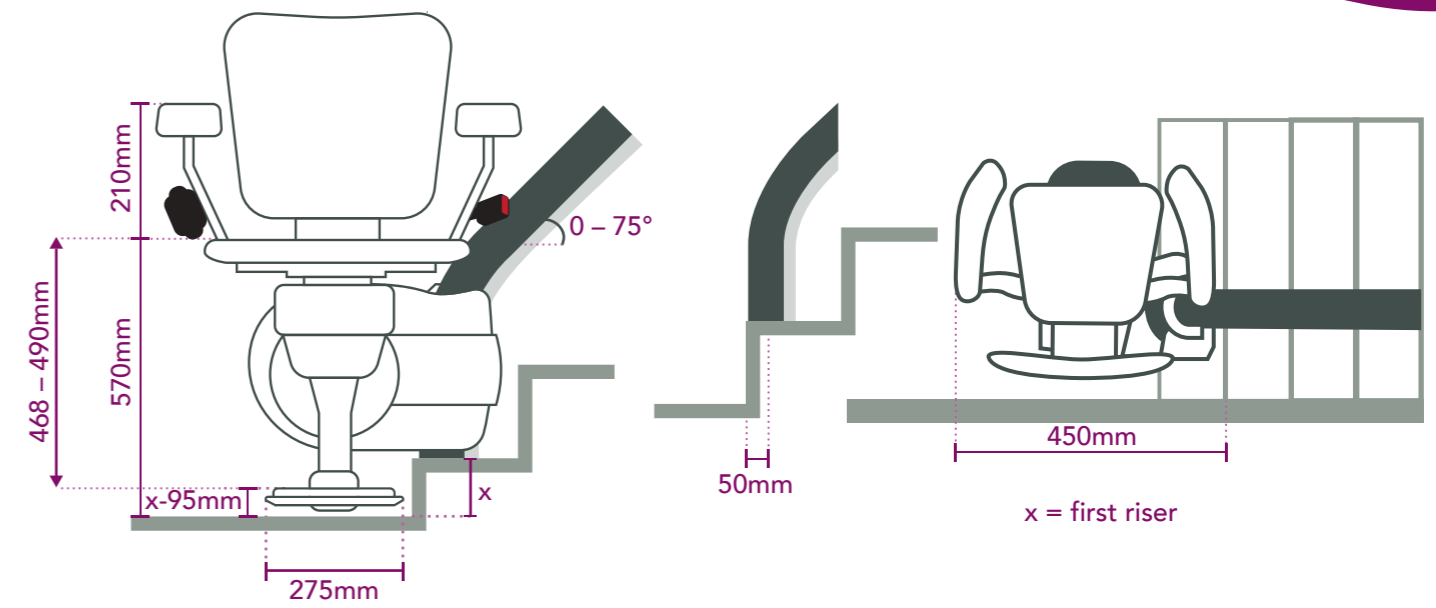
6 Once finished, fold up the arms and then the seat, which will close the footplate. When you have finished using the stairlift, you can turn the power off by using the power key.



PLATINUM ULTIMATE SPECIFICATION

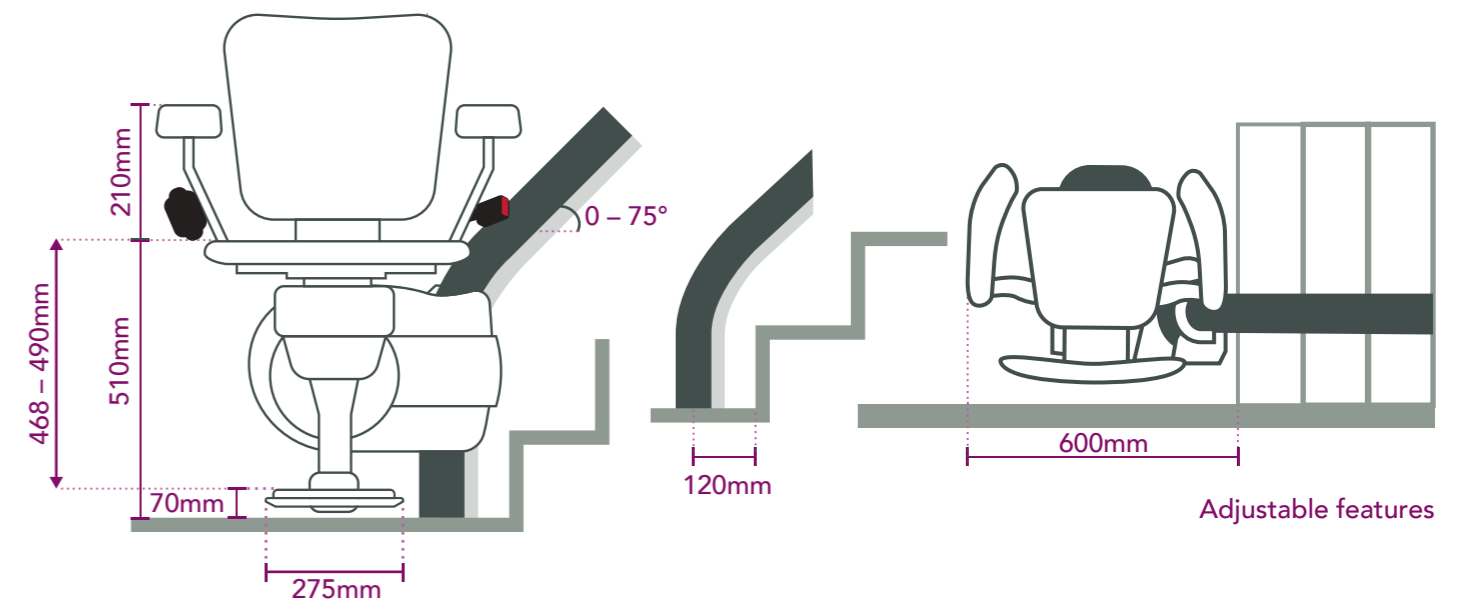


FIRST STEP START



SPEED:	0.12m/s Max.
DRIVE:	Rack & Pinion
WEIGHT CAPACITY:	120kg/19 St/265 lbs or 160kg/25 St/352 lbs
STAIRCASE INCLINE:	Up to 75°
OPERATION:	Joystick or rocker switch on arm, control type & hand configurable at install.
CERTIFICATION:	BS EN 81:40 Machinery Directive 2006/42/EC
SEAT SWIVEL:	Manual Swivel as Standard/2-way Power Swivel Option
FOOTPLATE:	Linked to Seat
SEAT HEIGHT:	510mm seat to floor, Seat to footplate height adjustable to 2 positions
SAFETY:	Safety edges around drive unit and underside of footplate to protect against trapping hazards Over-speed governor Retractable Reel Seat belt

STANDARD START





WHY CHOOSE PLATINUM?

Platinum Stairlifts are a British manufacturer, located in Yorkshire. We have been a provider of high quality stairlifts since 1996.

Committed to the highest level of quality, safety, comfort and reliability. Every stairlift is tested in our manufacturing facility to the highest standards prior to delivery and comes with a personalised signed certificate of quality.

Platinum Stairlifts works closely with an Approved Partner Network across the world. You can be assured that your stairlift provider is confident in our quality product and is fully trained and supported by us to provide the best solution for you.

"When our customers need a stairlift, time is of the essence. This is why we choose to work with Platinum Stairlifts – they provide a quality product for staircases of all shapes and sizes, and with a great turnaround time. Finally, if there are ever any issues, they are always on hand to support us and resolve things quickly."

Platinum Partner - March 2021

"I am incredibly impressed with how smooth the journey is, the technology of the lift and how reliable it's been. I used to dread having to haul myself up the stairs but no longer have to worry. At the press of a button, I am right outside my bedroom! Before I had my stairlift I would ache for two hours after climbing the stairs and now I don't, I've stopped taking the painkillers too!"

Dr Stewart. Ultimate customer - February 2021





Quality | Reliability | Partnership | Innovation | Caring



Certified to comply with BSEN81-40 :2008
For patent information, please visit www.platinumstairlifts.com/patent