



HORIZON
by platinum



**PRODUCT
BROCHURE**

HORIZON
Model: Horizon 1000
Year of Production: 2018
CE
WARNING: HOLDING SAFETY

THE PLATINUM HORIZON STAIRLIFT

Welcome to the Platinum Horizon stairlift. The ideal choice, for quick and simple installation on a straight staircase, designed for your comfort with an ergonomic seat and features that are fully adjustable to you.

Choosing a stairlift can be an overwhelming decision. However, the freedom offered in helping you return to independent living without having to leave the home you love makes it a great choice, providing you with a better quality of life and peace of mind for you, and your loved ones.



WHY CHOOSE A PLATINUM HORIZON STAIRLIFT?



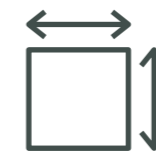
SIMPLICITY

The Platinum Horizon can be installed quickly and easily on any straight staircase allowing you to get back to enjoying the whole of the home you love.



COMFORT

The Platinum Horizon stairlift comes with an ergonomic seat, adjustable arms, backrest and footplate providing an easy and comfortable journey for users of every size and shape.



SPACE-SAVING SOLUTIONS

The Platinum Horizon comes with space-saving features such as Ergo Plus Seat pad and a neat powered hinge rail option. The floor mounted rail, easy foldaway seat, arms and lever activated footplate, leaves your stairs free from obstruction and remaining accessible for other household members.



SAFETY

Safety is paramount, for your peace of mind. Every stairlift is designed and tested to the highest standards (Machinery Directive 2006/42/EC and EN81/40) before it leaves the manufacturing facility, giving you confidence in independent living.

GET TO KNOW THE PLATINUM HORIZON STAIRLIFT

The Platinum Horizon stairlift offers you the ideal combination of function and comfort, letting you enjoy living in the home you love.

There are several of options that are configured to you and your comfort at the point of order and installation. Here, we have detailed these and many other benefits, so you can be confident in your decision that the Horizon is the right stairlift for you.

COMFORT

Choices for an easy and comfortable stairlift

- The Ergo Seat pad options are shaped to make sitting on the seat easy for the user, whatever size or shape
- A lever linked footplate means no awkward bending to fold up the footplate
- Powered or manual lever swivel for easy exiting of the seat
- Can accommodate up to 22st (140kg)

Adjustable arms,
backrest and
footplate



Ergonomic
joystick is an
easy to use
function



SAFETY

For you and your loved ones' peace of mind

- Easy to use seat belt for your safety
- Our stairlifts are battery powered so in the event of a power cut you can still access your home
- Automatic stop feature, if there is an obstacle on your stairs
- Text display for real time information, easily visible on the armrest



Text display



Remote control to call and park your stairlift to the top or bottom of the stairs.

Powered hinge rail



SPACE - SAVING SOLUTIONS

Compact design to blend into your home

- Foldaway arms, seat and footplate ensuring your stairlift leaves your stairs fully accessible for others
- The option of the remote-controlled powered hinge rail. Removing the inconvenience of a protruding rail from the bottom of your stairs. An ideal solution to avoid obstructing doors or walkways





YOUR OPTIONS

The Platinum Horizon comes with a choice of key features to make it an accessible chair for everyone to use and to fit seamlessly into your home.



SEAT ADJUSTMENTS

The Horizon armrests can be adjusted to accommodate the user

THE SEAT

Fully adjustable seat with the choice of a Standard Seat pad or Ergo Plus Seat pad to accommodate the user comfortably.

THE SWIVEL

Power activated or manual seat lever swivel



The Standard Seat pad



The Ergo Plus Seat pad



THE MAXIMUM WEIGHT



THE RAIL

Powered hinge rail option, or standard aluminium rail



Standard Start



Powered Hinge Rail

THE LOCATION

The Platinum Horizon stairlift is suitable for straight staircases indoor and outdoor



THE UPHOLSTERY

A choice of colours to match your home décor



Ruby Red



Cobalt Blue



Light Grey



Almond Beige

THE PLATINUM HORIZON JOURNEY

Six simple steps to help you enjoy your whole home.

1 Call your stairlift using the remote control, if you have chosen a powered hinge, it will automatically lower.



2 Lower the armrests and the seat pad, put the footplate down with the easy to reach side lever. Your stairlift is ready to use. The digital screen will display 'Platinum' meaning you are ready to go.



3 Your chair will be fully adjusted to your size and shape at installation, so, all you need to do is sit comfortably in the chair, engage the seat belt and you are ready.



4 To operate your stairlift, simply use the ergonomic joystick in the armrest and lightly press in the direction you wish to travel.



5 Once you have arrived the powered swivel will turn the chair, and when it finishes, unbuckle and safely step off. If your lift has a manual swivel, use the lever situated under the seat to swivel the seat.

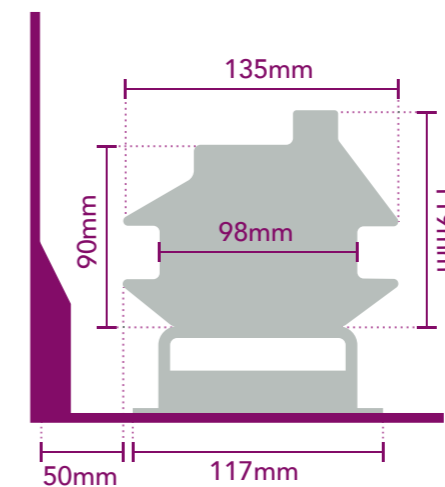
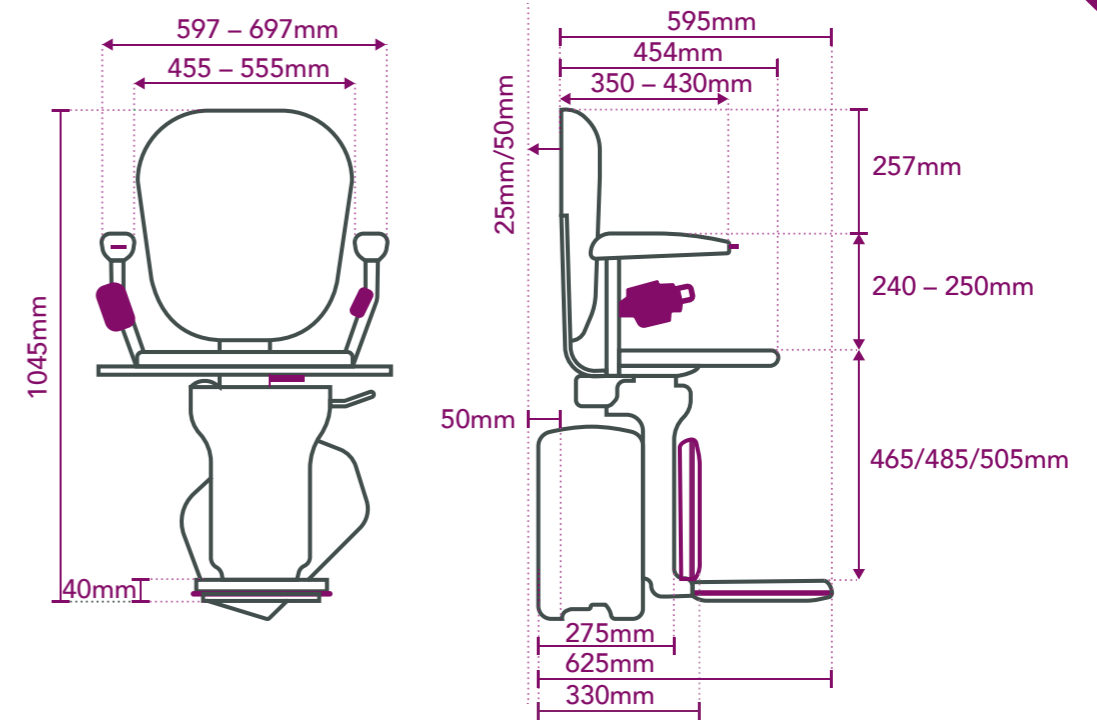


6 On arrival, fold up the arms and seat, and use the footplate lever to fold it away. Once finished using the stairlift, turn the power off by turning the key under the armrest.



PLATINUM HORIZON SPECIFICATION

SPEED:	120mm/s (0.12m/s) Maximum
DRIVE:	Rack & Pinion
WEIGHT CAPACITY:	140kg / 22St / 265 lbs
STAIRCASE INCLINE:	Up to 62°
OPERATION:	Arm mounted Ergo Joystick/Toggle Switch or Infrared or Radio remote call and sends.
CERTIFICATION:	BS EN 81:40 Machinery Directive 2006/42/EC
SEAT SWIVEL:	Manual Swivel as Standard / 1-way Power Swivel Option
FOOTPLATE:	Manual lever link on carriage
SEAT HEIGHT:	Adjustable to 465mm / 485mm / 505mm seat to footplate.
SEAT VARIATIONS:	Ergo standard backrest with Ergo standard and Ergo Plus seat pad options.
SAFETY:	Safety edges on footplate and carriage Over-speed governor Electro-magnetic Motor brake Retractable Reel Seat belt Interlocked swivel seat





WHY CHOOSE PLATINUM?

Platinum Stairlifts are a British manufacturer, located in Yorkshire. We have been a provider of high quality stairlifts since 1996.

Committed to the highest level of quality, safety, comfort and reliability. Every stairlift is tested in our manufacturing facility to the highest standards prior to delivery and comes with a personalised signed certificate of quality.

Platinum Stairlifts works closely with an Approved Partner Network across the world. You can be assured that your stairlift provider is confident in our quality product and is fully trained and supported by us to provide the best solution for you.

“When our customers need a stairlift, time is of the essence. This is why we choose to work with Platinum Stairlifts – they provide a quality product for staircases of all shapes and sizes, and with a great turnaround time. Finally, if there are ever any issues, they are always on hand to support us and resolve things quickly.”

*Platinum Partner
March 2021*





Quality | Reliability | Partnership | Innovation | Caring



Certified to comply with BSEN81-40 :2008
For patent information, please visit www.platinumstairlifts.com/patent