



# Step Lifts

Domestic Exterior or Interior Wheelchair Lifts

**Terry**  
total lift solutions

The Mobility Lift Specialists  
Trusted for over 50 years

Buy direct from the British manufacturer

[www.terrylifts.co.uk/tsl](http://www.terrylifts.co.uk/tsl)

Call **0330 053 6779** for free and impartial advice



*simple*

## AND PRACTICAL SOLUTION TO ACCESSING A HOME



TSL 500



TSL 1000W

Our **Terry Step Lift (TSL) range** offer an easy solution for wheelchair access to and from a domestic property including access to the garden. The lifts are versatile and flexible, and our experienced engineers can usually install a TSL in less than a day.

A ramp may not always be a feasible option due to lack of space or not enough length to achieve the required gradient. Terry Step Lifts provide a safe and reliable way to gain independent access into and out of a domestic property.

Three models are available to cater for every need. The TSL 500 and 1000 have a load capacity of 250 kg and they can travel up to 500 and 1000 mm respectively (or 960 mm, when a triple bridging step unit is supplied). The TSL 1000W, a wider model, is designed to carry heavy wheelchairs, mobility scooters and bariatric users. It has a load capacity of 385 kg\* with a maximum travel height of 1000 mm.

Consisting of a self-contained unit, Terry Step Lifts are suitable for mounting on a flat 100 mm concrete base and are quick to install. Bridging steps can be added allowing easy pedestrian access via the same doorway.

## WHY INSTALL A TERRY *step lift?*

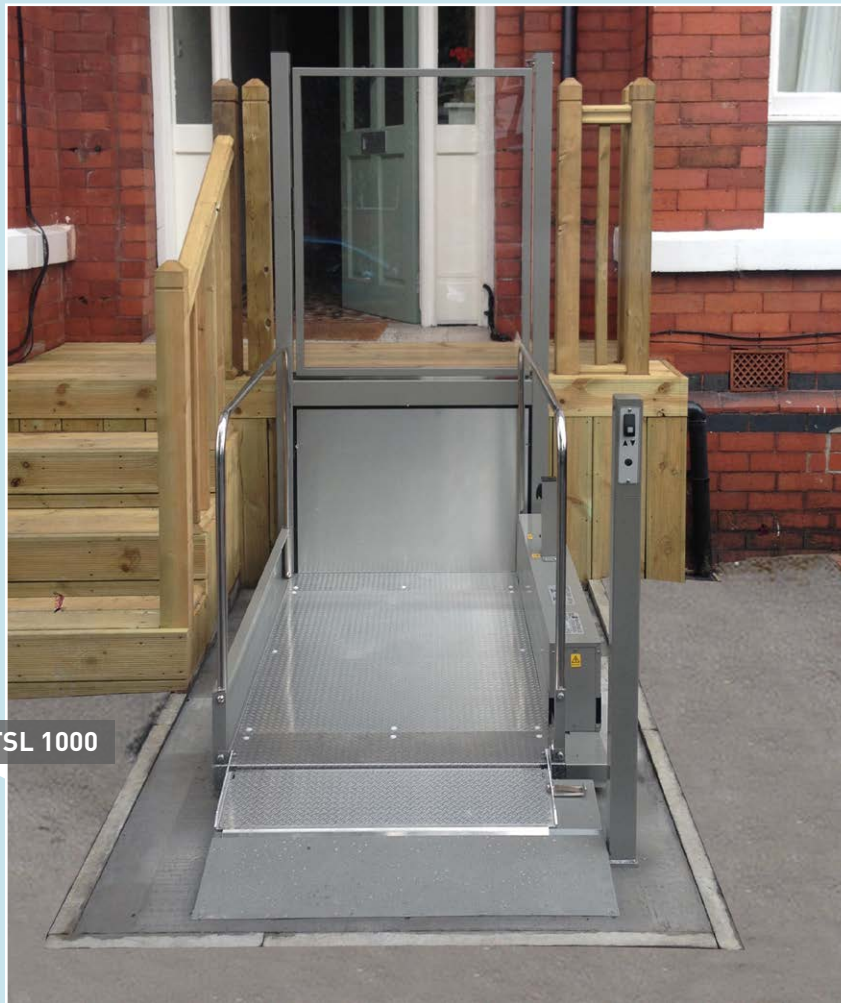
- ✓ **Quickly installed** requiring minimal exterior alterations
- ✓ **Versatile solution** with a choice of bridging steps or upper level gate protection
- ✓ Can be **easily re-sited** and often a cheaper option than a ramp
- ✓ **Safe, reliable and easy to use**
- ✓ **Large load capacity TSL 1000W model available (385kg)** ideal for bariatric users\*
- ✓ **Manufactured in Great Britain** to BS 6440 standard and CE marked

\* Excluding bridging steps



TSL 1000

	TSL 500	TSL 1000	TSL 1000W
<b>Application range</b>	External or internal use		
<b>Max safe working load</b>	250 kg	250 kg	385 kg
<b>Max travel</b>	500 mm	1000 mm	1000 mm
<b>Internal platform width</b>	800 mm	800 mm or 900mm wide option	1100 mm
<b>Options</b>	<ul style="list-style-type: none"> <li>✓ Handrails</li> <li>✓ Single step bridging</li> <li>✓ Remote control enabler</li> <li>✓ Remote up/down control</li> <li>✓ Upper gate and interlock</li> <li>✓ Upper gate interlock kit</li> </ul>	<ul style="list-style-type: none"> <li>✓ Single, double or triple step bridging</li> <li>✓ Radio control enabler</li> <li>✓ Remote up/down control</li> <li>✓ Pit installation (indoor only)</li> <li>✓ Upper gate interlock kit</li> <li>✓ Pit installation (indoor only)</li> </ul>	<ul style="list-style-type: none"> <li>✓ Bridging steps 900mm wide</li> <li>✓ Radio control enabler</li> <li>✓ Remote up/down control</li> <li>✓ Upper gate and interlock</li> <li>✓ Upper gate interlock kit</li> <li>✓ Pit installation (indoor only)</li> <li>✓ Steel or plexi-glass side infills</li> <li>✓ Stainless steel in lieu of grey powder coat paint finish</li> </ul>
<b>Closed height</b>	75 mm		
<b>Power supply electrical requirements</b>	220 / 240 V-50 / 60 Hz-13 A single phase		
<b>Low voltage control system</b>	24 V DC		
<b>Operating temperature range</b>	-10°C to +40°C		
<b>Safety</b>	Automatic wheelchair arrestor mechanism and full battery back-up. Constant pressure controls. Underside safety surface.		
<b>Drive</b>	Hydraulic scissor mechanism		
<p>N.B. Maximum load, travel and dimensions may alter subject to lift specification. This would be determined with a survey. Provides for wheelchair access only. However, should you require a lift to carry a wheelchair and an attendant or for standing use only, Terry Melody 1 and 3 lifts are designed for this purpose.</p>			

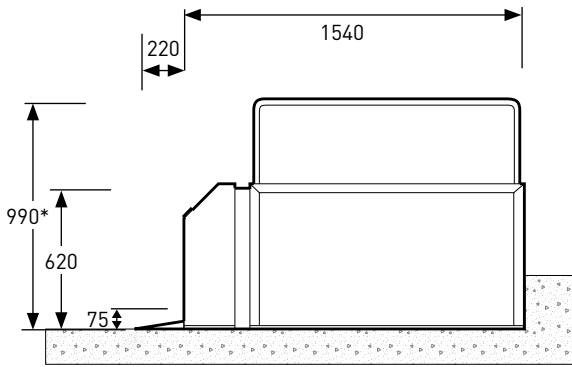
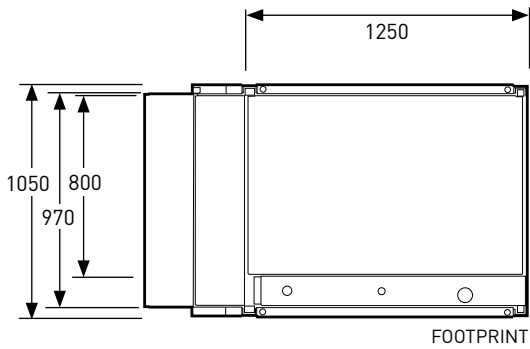


TSL 1000

# Dimensions

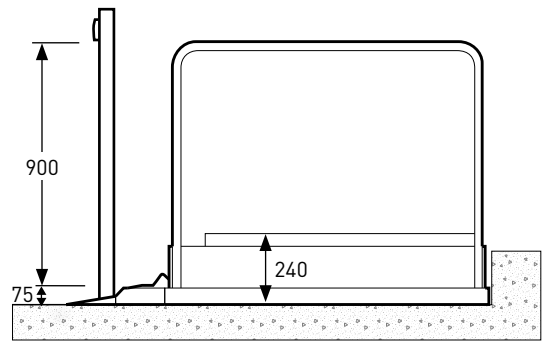
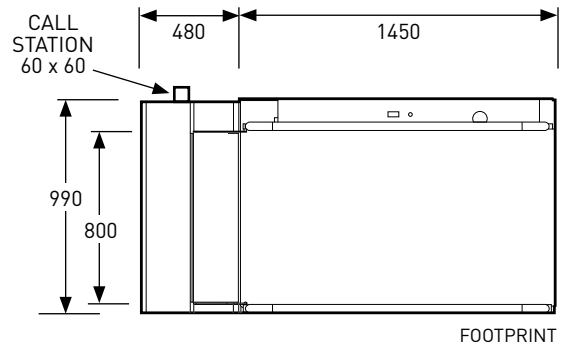
All dimensions in mm

## TSL 500

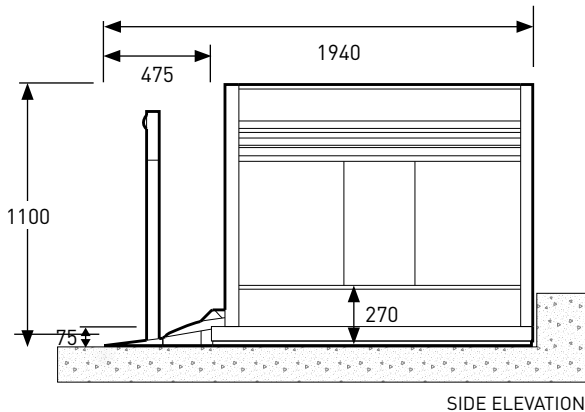
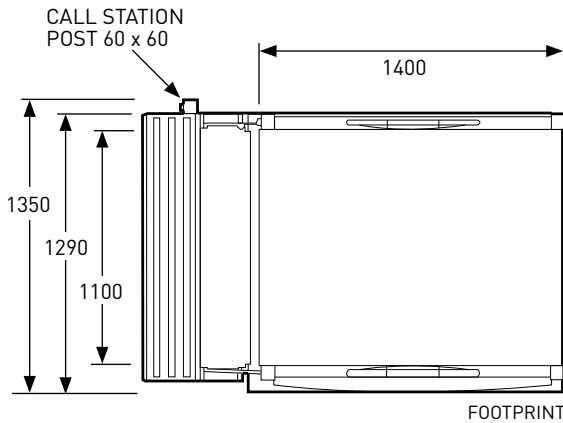


Handrails shown are an optional extra

## TSL 1000



## TSL 1000W



## The Terry Lifts Guarantee



✓ **Origin:** Designed & manufactured in Great Britain with over 50 years' experience

✓ **Safety:** Full safety features

✓ **Certification:** ISO 9001:2015, ISO 14001:2015, OHSAS 18001:2007

✓ **Fully compliant:** British Standard BS6440:2011, CE marked



Call us today on: **0330 053 6779**  
or e-mail: **enquiries@terrylifts.co.uk**

**Terry**  
total lift solutions

Terry Group Ltd.,  
Longridge Trading Estate,  
Knutsford, Cheshire, WA16 8PR

Tel: **+44 (0)330 053 6779**  
[www.terrylifts.co.uk](http://www.terrylifts.co.uk)