



Terry Harmony

Vertical Lift

Dolphin Stairlifts

Gurlyn Farm
Relubbus
Penzance
Cornwall
TR20 9DA

Phone: 01736 763580

E-mail: info@dolphinstairlifts.co.uk

Web: www.dolphinstairlifts.co.uk



Terry 
total mobility solutions

HARMONY HOMELIFTS

Why move to a bungalow, ground floor flat or be restricted to the ground floor of a conventional house?

Regain the freedom of your home by being able to travel between floors smoothly, quietly and safely either seated in our Compact model or in our Harmony wheelchair lift.

The installation of a through floor lift is a far less complicated operation than you might think. Following the initial survey and the subsequent decision to proceed with the installation, our experienced team of fitters will carry out all necessary preparatory work and then install the lift in less than two days with very little disturbance to your household.

As space is always limited, Harmony features an integral ramp and ingenious car design resulting in a wheelchair lift which is only fractionally larger on the outside than the inside.

For persons who do not use a wheelchair, the Harmony Compact seated model requires just two thirds of the space of the standard Harmony.

Operation is simple. Having called the lift from the easily accessible wall control, the car door can be opened by the same control. The integral ramp allows easy wheelchair access and a pushbutton inside the car closes the door. A push of the control button will signal the car to travel to the other floor, automatically lifting or replacing the aperture ceiling panel en route, where the reverse procedure is followed to exit the car.



Harmony allows you to move between floors smoothly and safely. Can be used with or without your wheelchair. Fold-up seat available



Harmony Compact at lower level. Available with fixed or slide out seat



Lower room when lift upstairs



Upper room when lift downstairs

Both lift-up aperture infill and car underpan are designed to provide a minimum half hour fire protection and both are fitted with cold smoke and intumescent fire seals. Sensitive surfaces are incorporated in both



Entering the lift upstairs



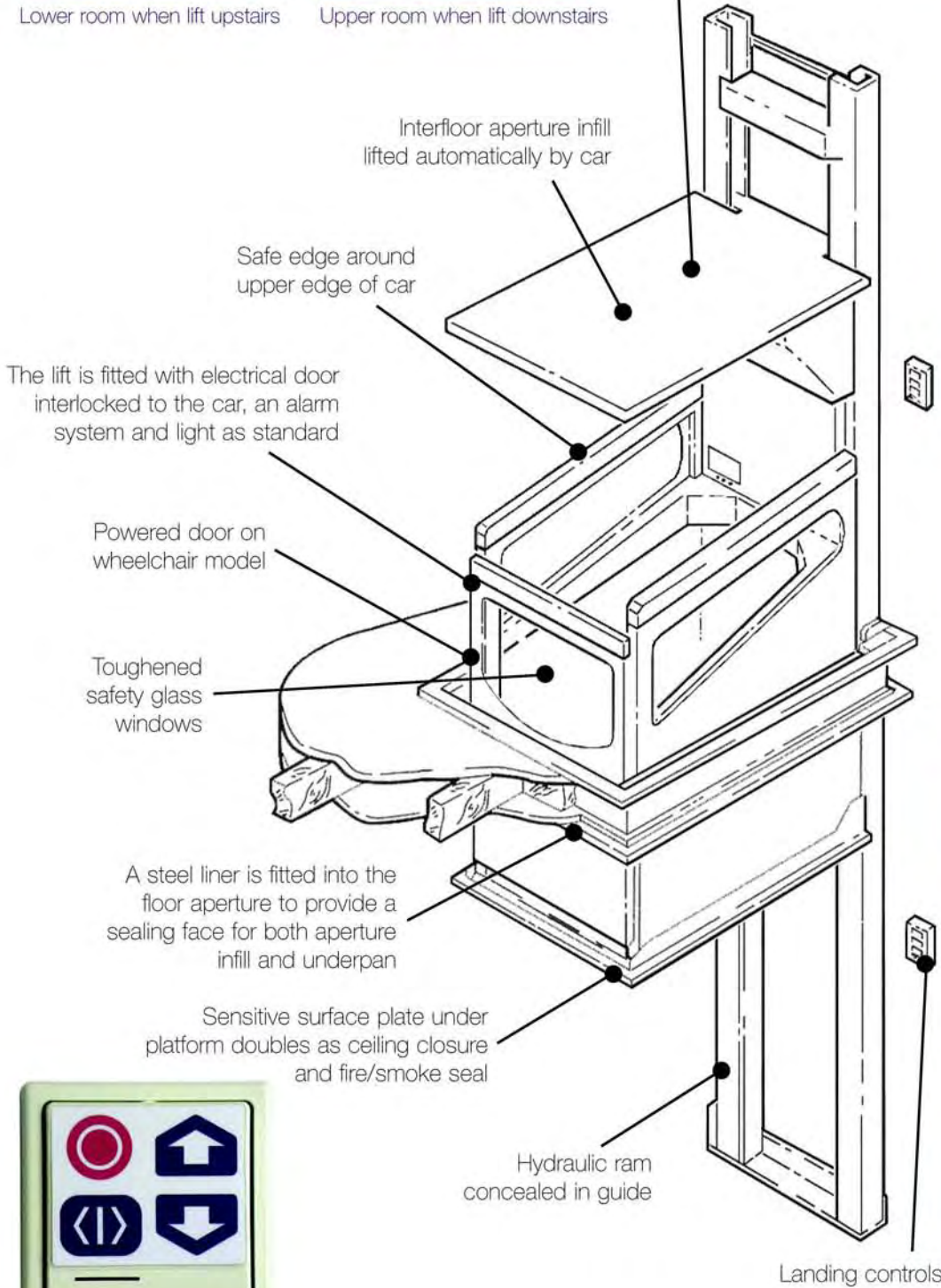
Moving downstairs



Lift approaching lower floor



Exiting the lift downstairs



Easily accessible controls

State of the art hydraulic drive system provides the following benefits:

- Exceptionally smooth and quiet operation by virtue of remote power unit
- Inherent safety system to guard against free fall of car
- Flexibility of installation – minimal headroom required in first floor room and guides can be installed across windows or against non-load bearing walls

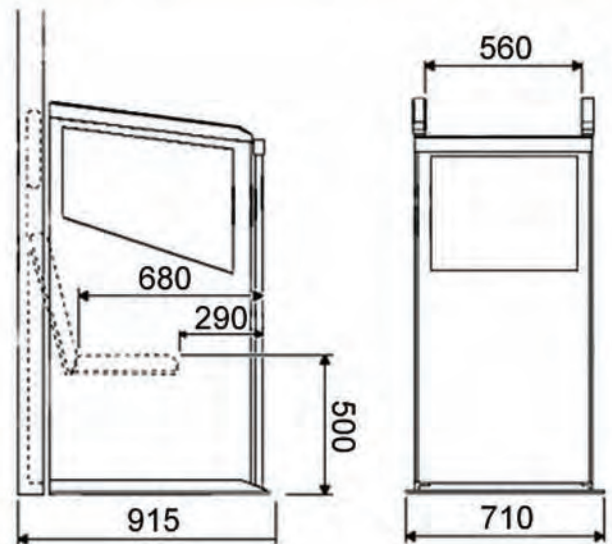
Standard features are as follows:

- Manufactured and tested to BS 5900.1991. Report No. 160561. Warrington Fire Research Centre 4.8.92. Trapdoor-Report No.56875. Underpan-Report No. 56874
 - Half hour fire integrity maintained in ceiling/floor irrespective of whether lift is parked upstairs or downstairs
 - Controls in car and at both floors which enable travel, stop, car light and door open/close commands
 - Powered door on wheelchair version
 - In event of power failure battery back up system allows operation of car in the down direction by normal controls with all safety systems in operation
 - Wipe-clean finish
 - The car is fitted with a light which switches on when lift is called
- * Please note – The lift cabin styling shown in this brochure is available on the standard wheelchair model with a standard sling only. Please contact us if you require further information

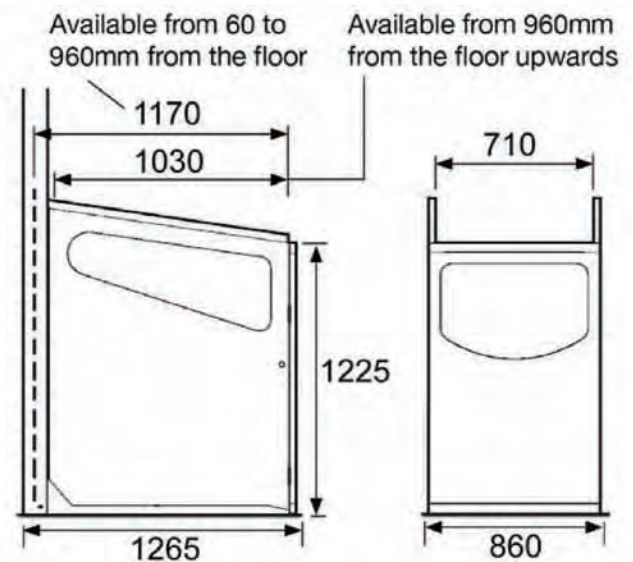
Available options:

- Separate sliding seat in compact model
- Folding seat in wheelchair version (W: 380, D:465 Height from floor: 510)
- A telephone can be fitted in the lift car
- A range of trim colours
- Special car sizes in wheelchair model 200mm longer, 150mm wider or both
- Maintenance – BS 5900 recommends that Homelifts are serviced at six monthly intervals, which we will be pleased to do on request.

Harmony Compact Carriage Details



Harmony Wheelchair Carriage Details



All dimensions in mm
 TRAVEL: 3m. Special versions available to 3,65m
 CAPACITY: Wheelchair 250kg (39 Stone)
 Compact 150kg (23 Stone)

Terry 
 total mobility solutions

